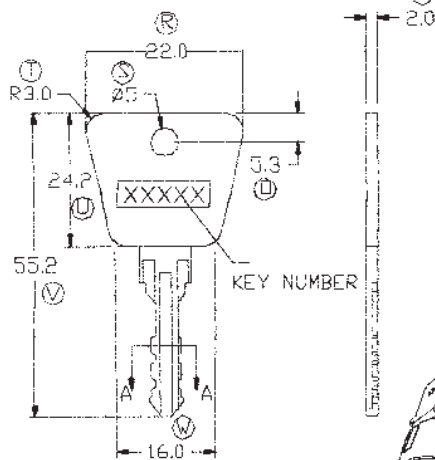
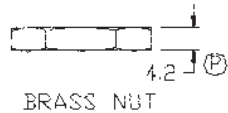
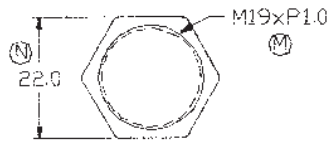
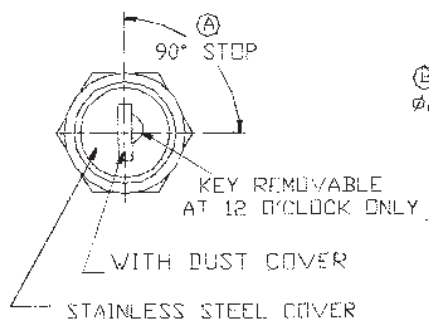
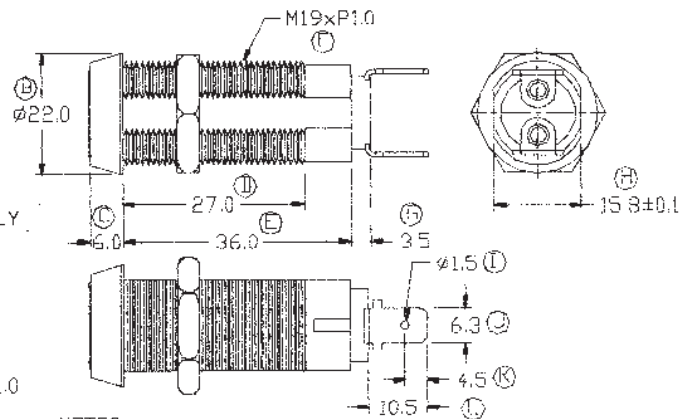
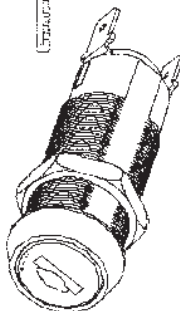
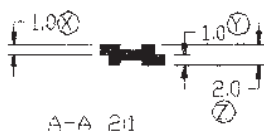




Flat Key Switch Lock

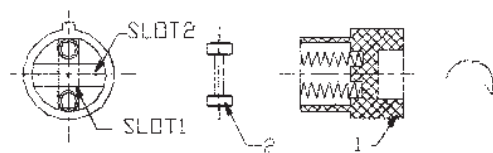


TWO KEYS IN A RING



NOTES:

1. Contact rating: 4A 125V AC, 2A 250V AC
2. Contact Resistance: 10 Milli-Ohms Max.
3. Insulation Resistance: 500 Meg-Ohms Min Max (500V DC)
4. Dielectric Strength: 1500V AC-1 Minute
5. There is a definite click when the lock turns from off to on



NOTES:

1. WHEN PART 1 AND 2 AT SLOT 1, POWER IS ON.
2. WHEN PART 1 DRIVE 2 TO ROTATE 90 DEGREE, PART 2 AT SLOT 2, POWER IS OFF.
3. WHEN PART 2 ROTATE FROM SLOT 1 TO SLOT 2, HAND FEEL THE SWING BECAUSE THE SPRING.

COMPONENT	MATERIAL	FINISH
HOUSING	ZINC ALLOY	BRIGHT CHROME
SPINDLE	ZINC ALLOY	BRIGHT CHROME
BRASS NUT	BRASS	X
KEY	ZINC ALLOY	NICKEL PLATE
TERMINALS	BRASS	X