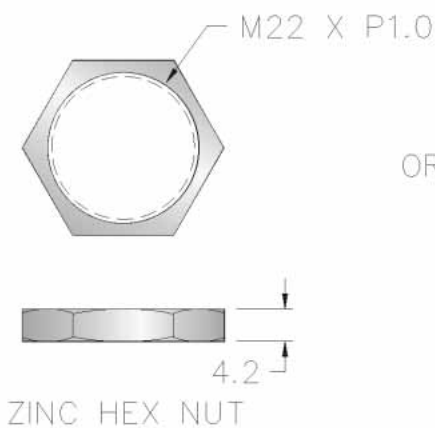
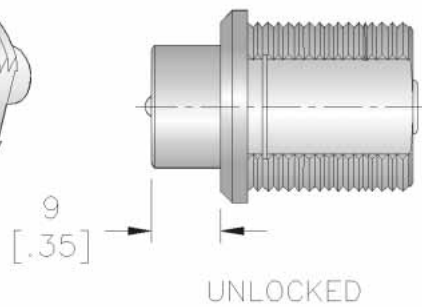
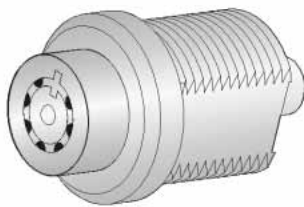
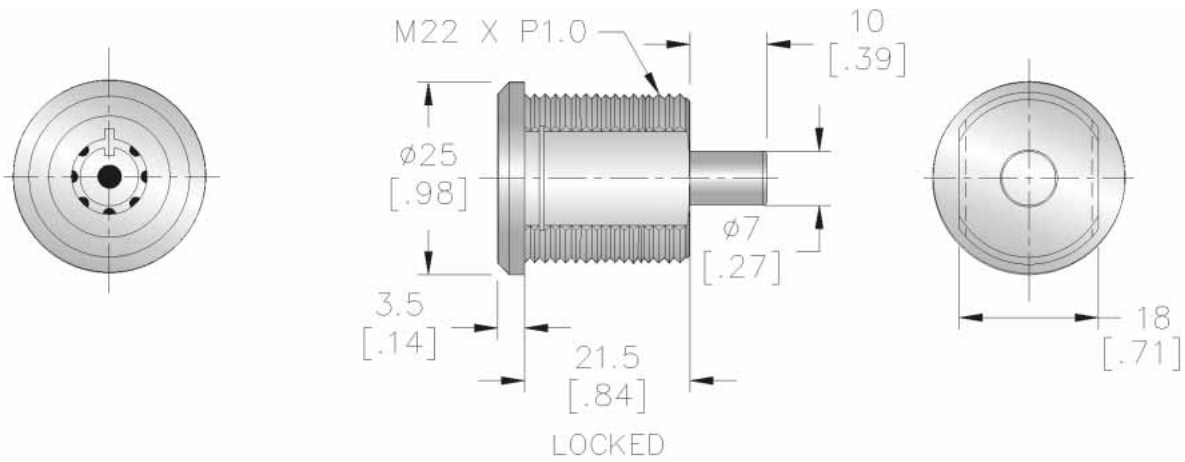
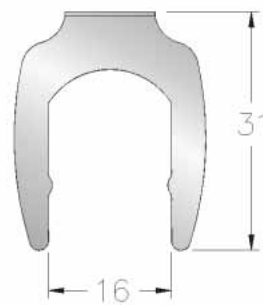




## PL- 3504 Push Lock



OR



- 7 pin tumblers in 1000 key codes
- 10 pin tumblers in 100,000 key codes
- Master key system available
- Hardened center spindle available
- USA patent 5133203 Europe patent-0556505 Canada 2078837-2