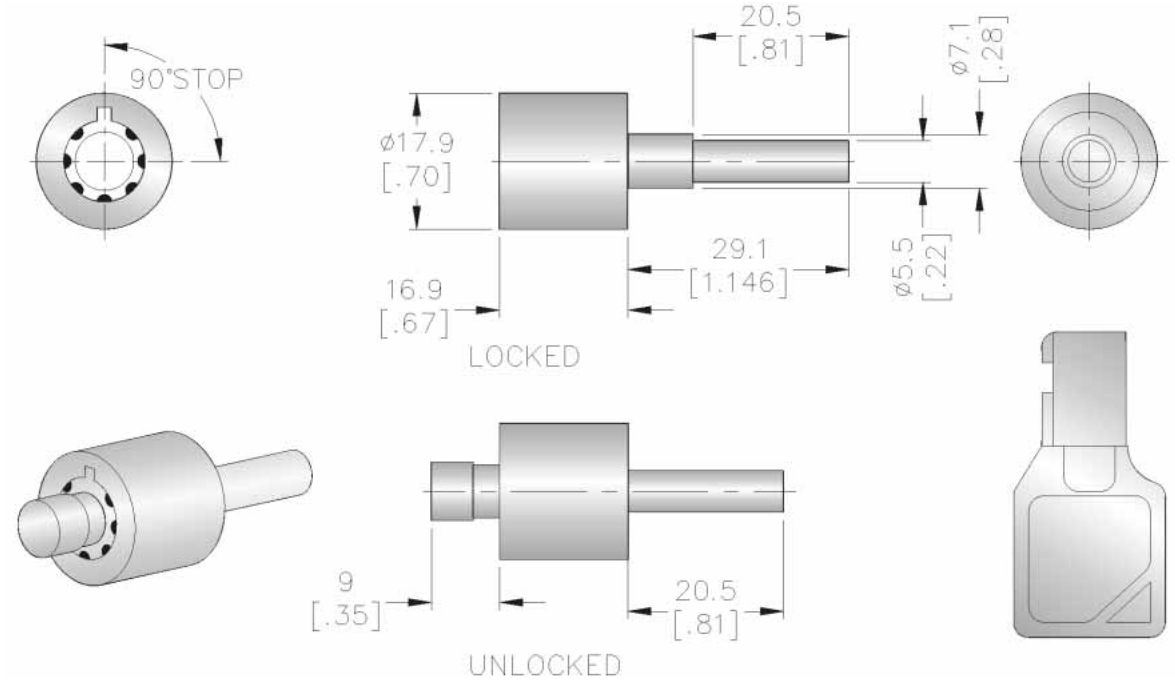


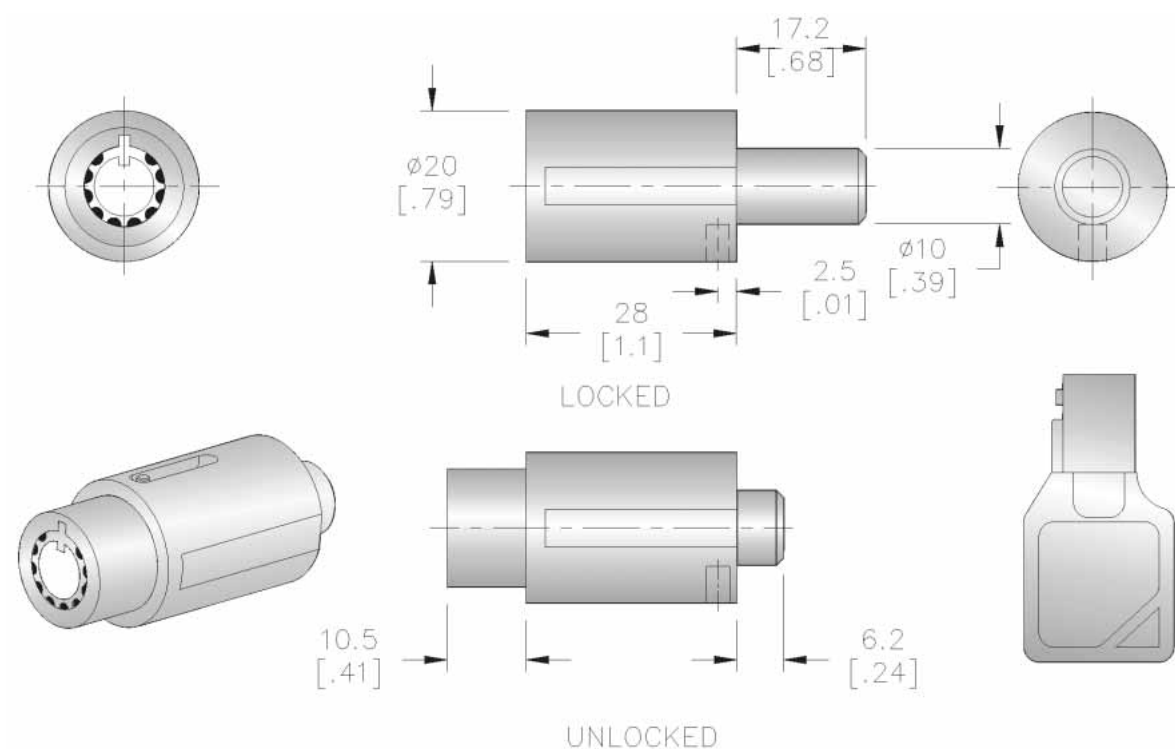


## PL- 3501 Push Lock



- 7 pin tumblers in 1000 key codes
- 10 pin tumblers in 100,000 key codes
- Master key system available
- Hardened center spindle available
- USA patent 5133203 Europe patent-0556505 Canada 2078837-2

## PL- 3502 Push Lock



- 7 pin tumblers in 1000 key codes
- 10 pin tumblers in 100,000 key codes
- Master key system available
- Hardened center spindle available
- USA patent 5133203 Europe patent- 0556505 Canada 2078837-2