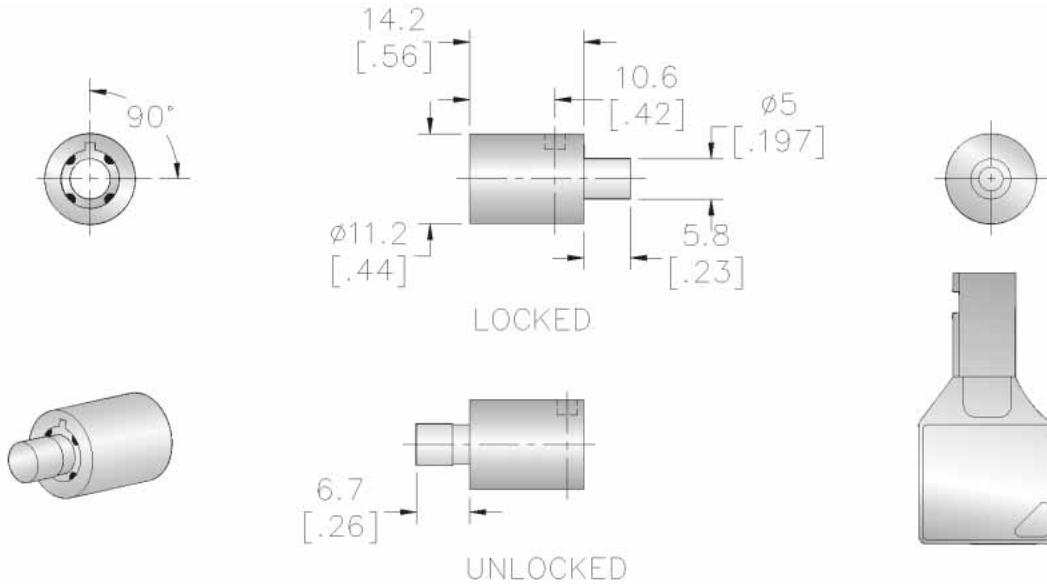


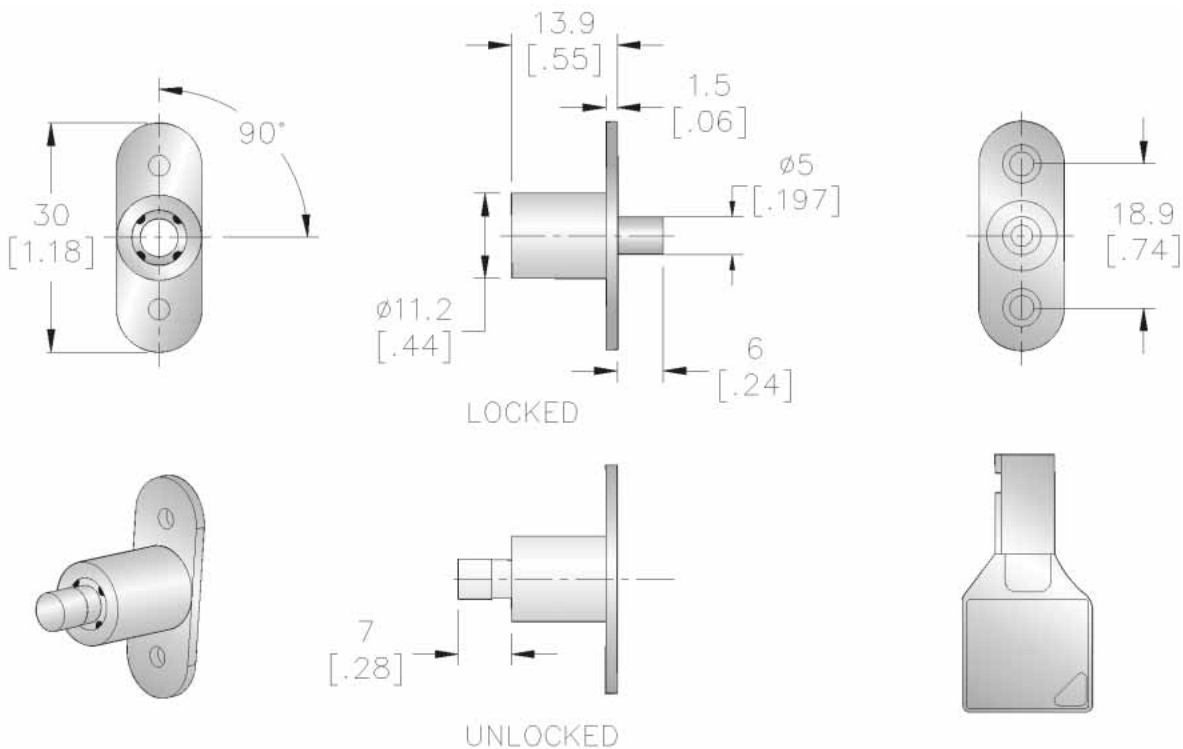


PL- 101 Mini Push Button Lock



- Very easy to use, just push the button to lock
- 4 pin tumblers in 200 key codes
- 7 pin tumblers in 10,000 key codes
- Master key system available
- USA patent 5133203 Europe patent-0556505 Canada patent- 2078837-2

PL- 102 Mini Push Button Lock



- Very easy to use, just push the button to lock
- 4 pin tumblers in 200 key codes
- 7 pin tumblers in 10,000 key codes
- Master key system available
- USA patent 5133203 Europe patent-0556505 Canada patent- 2078837-2