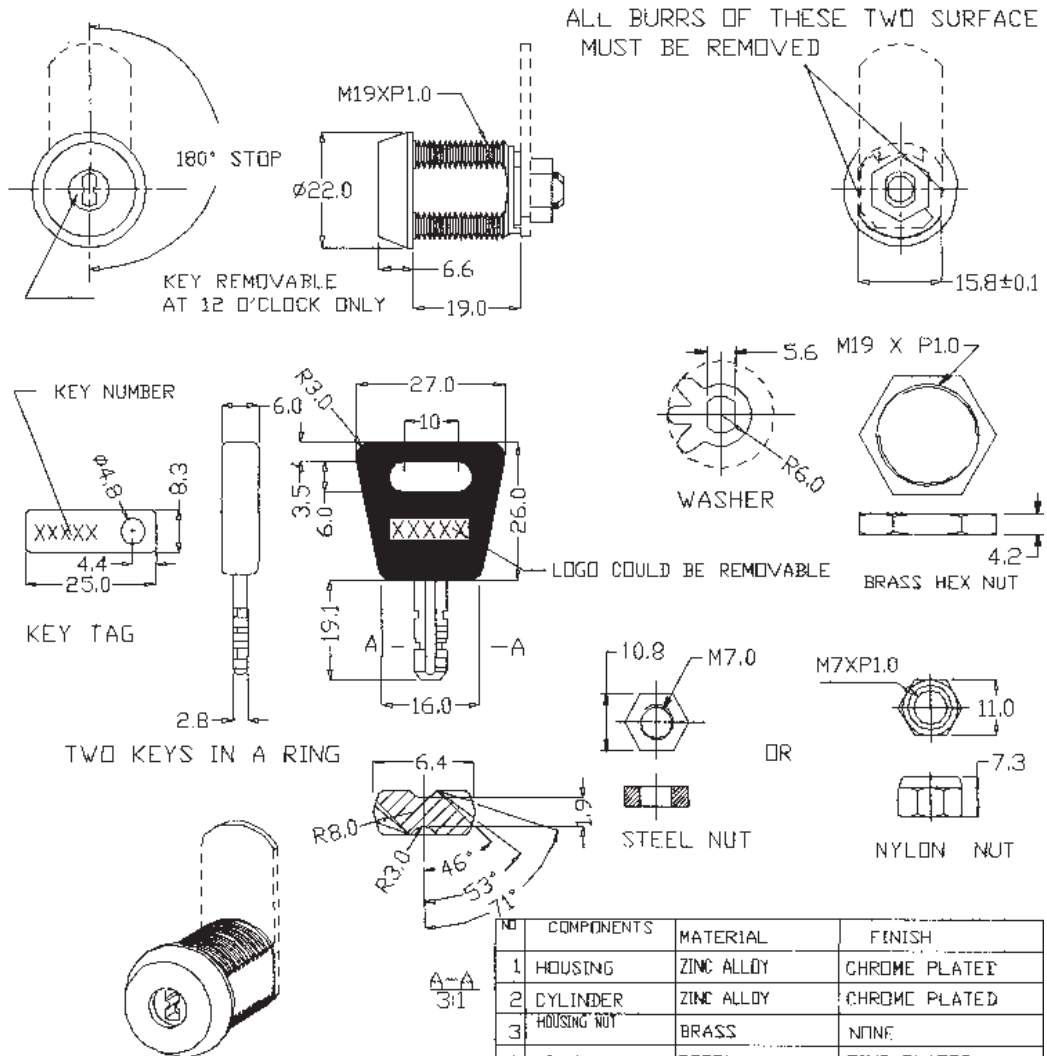




## High Security Disc Tumbler Lock



NO	COMPONENTS	MATERIAL	FINISH
1	HOUSING	ZINC ALLOY	CHROME PLATED
2	CYLINDER	ZINC ALLOY	CHROME PLATED
3	HOUSING NUT	BRASS	NONE
4	CAM	STEEL	ZINC PLATED
5	STEEL NUT OR NYLON NUT	STEEL	ZINC PLATED
6	KEY	NICKEL BRASS	NONE
7	WASHER	STEEL	ZINC PLATED
8	KEY TAG	0.6 MM BRASS	NICKEL PLATED