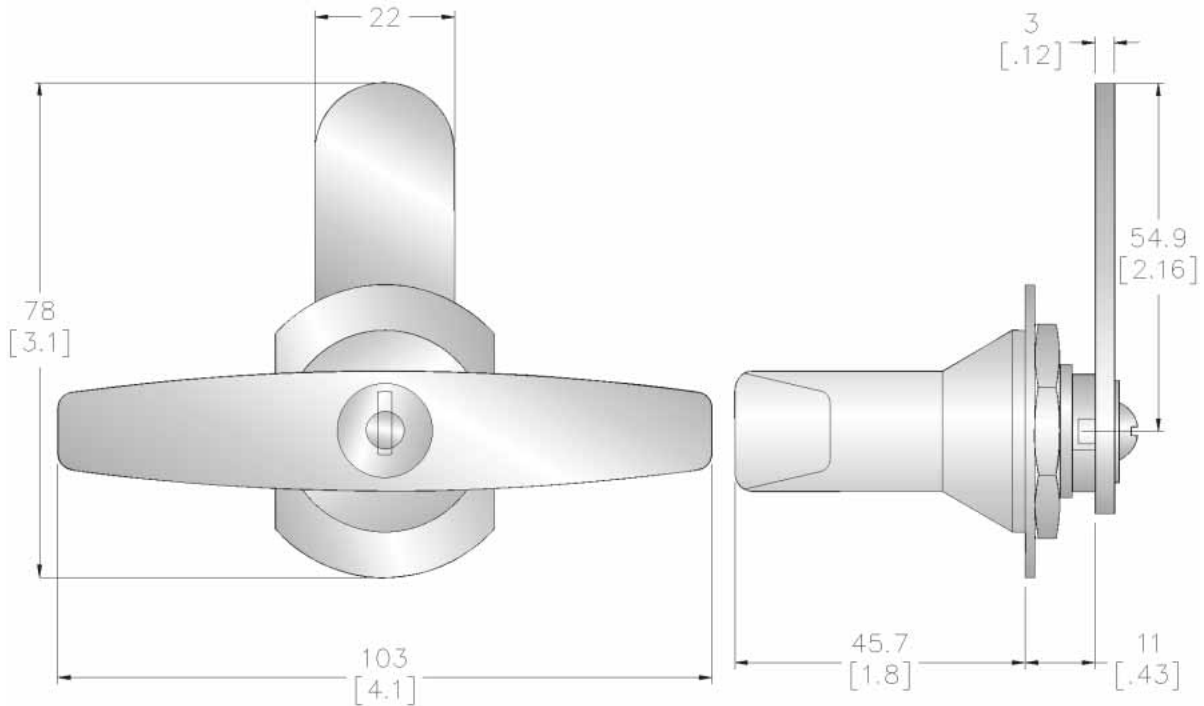




## HDL- 07503 T-Handle Lock



- High strength zinc alloy
- Polished bright chrome plating
- 5 wafer disc lock for more than 200 key codes
- Accessories attached