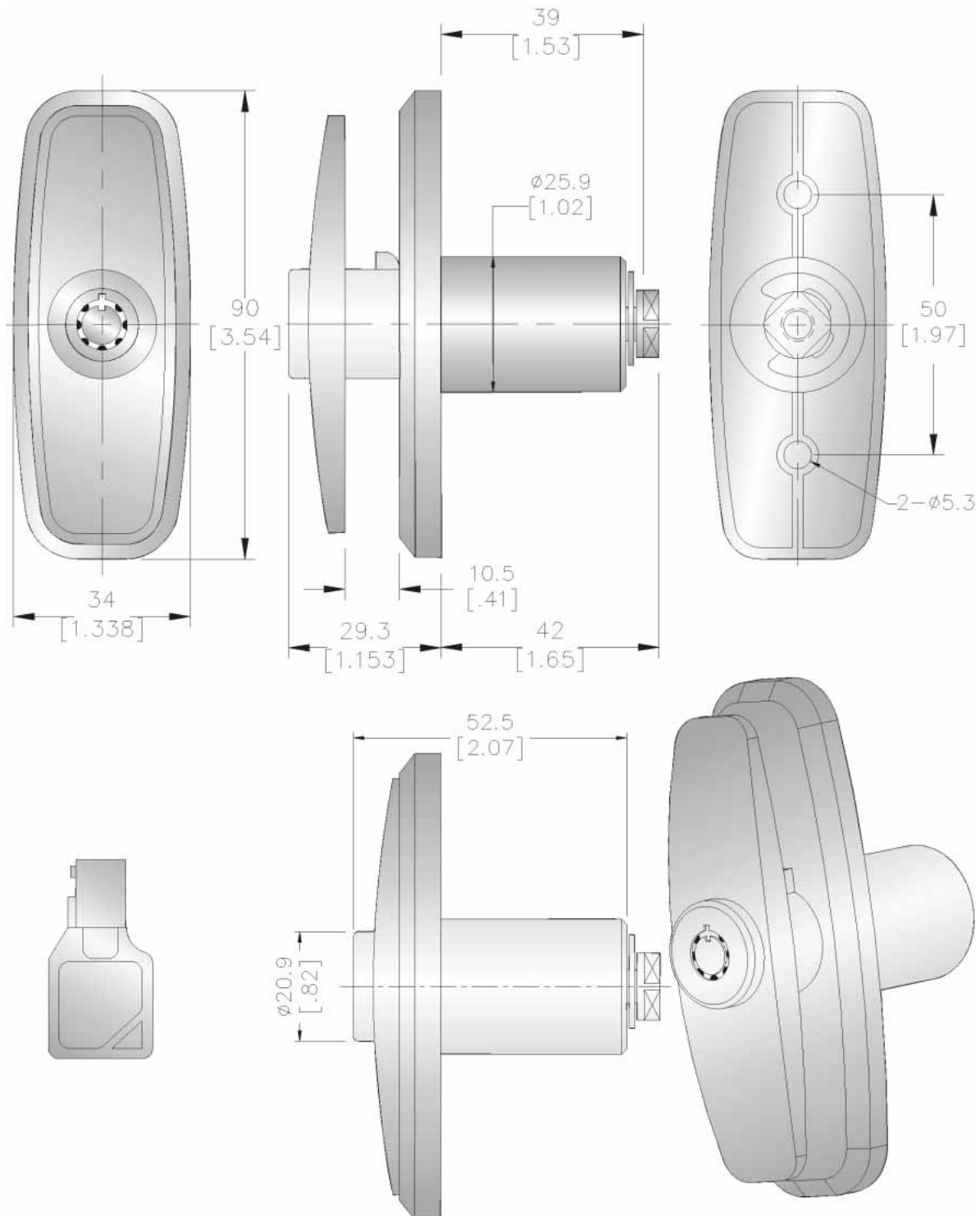




HDL- 07501 Pop-out T-Handle Lock



- High strength zinc alloy
- Polished bright chrome plating
- 7 pin or 10 pin tumblers available
- Very easy push to lock mechanism
- Master key system available