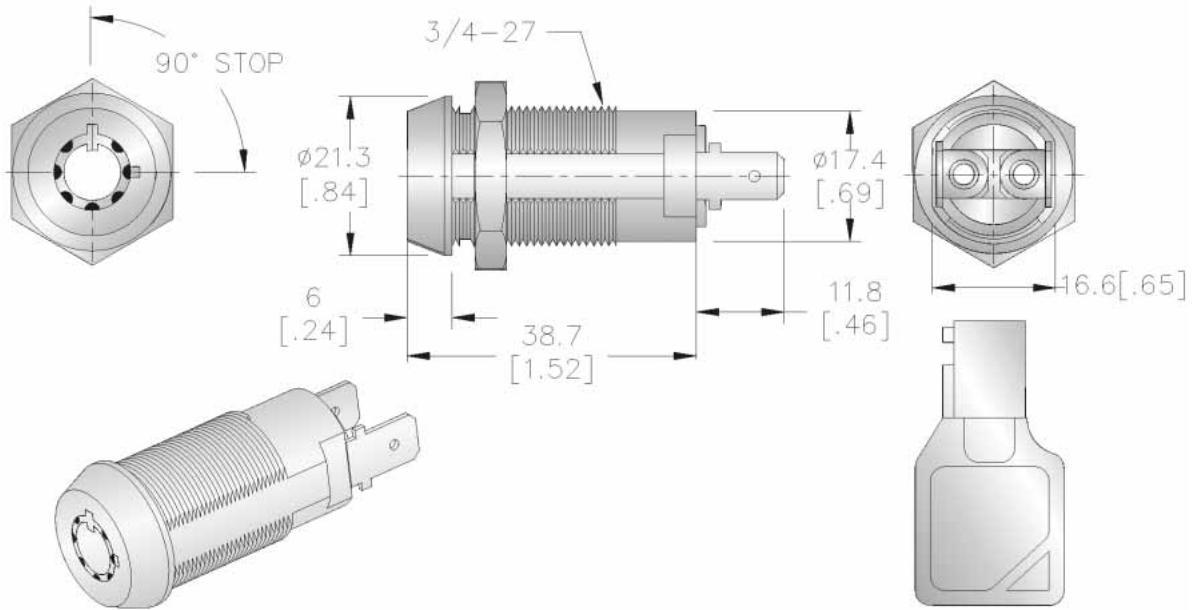


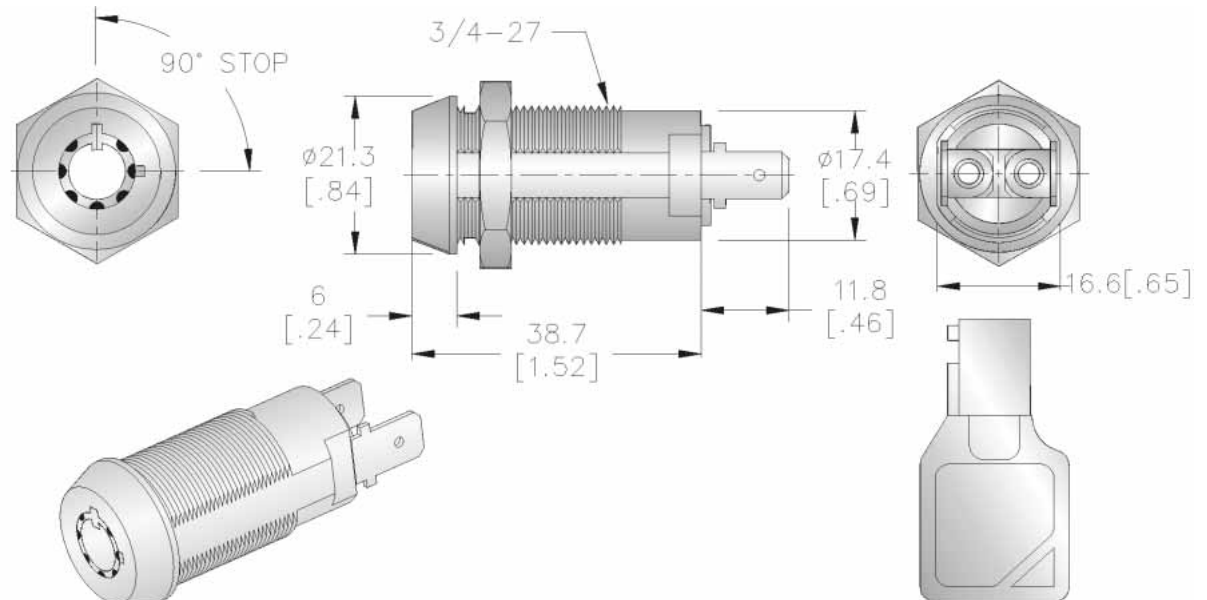


SRL- 4501 Tubular Key Switch Lock



- Standard 7 pin lock with 10,000 possible key codes
- Highly anti-pick 10 pin tumblers with 1 million key codes available
- Master key system available
- 8-code-Matic system available
- Contact rating: 4A 125V AC, 2A 250V AC
- Contact resistance: 10 Milli-ohm Max
- Insulation resistance: 500 Meg-Ohms. Min. Max (500V DC)
- Dielectric strength: 1500V AC-1 Minute

SRL- 4502 Tubular Key Switch Lock



- Standard 7 pin lock with 10,000 possible key codes
- Highly anti-pick 10 pin tumblers with 1 million key codes available
- Master key system available
- 8-code-Matic system available
- Contact rating: 4A 125V AC, 2A 250V AC
- Contact resistance: 10 Milli-ohm Max
- Insulation resistance: 500 Meg-Ohms. Min. Max (500V DC)
- Dielectric strength: 1500V AC-1 Minute