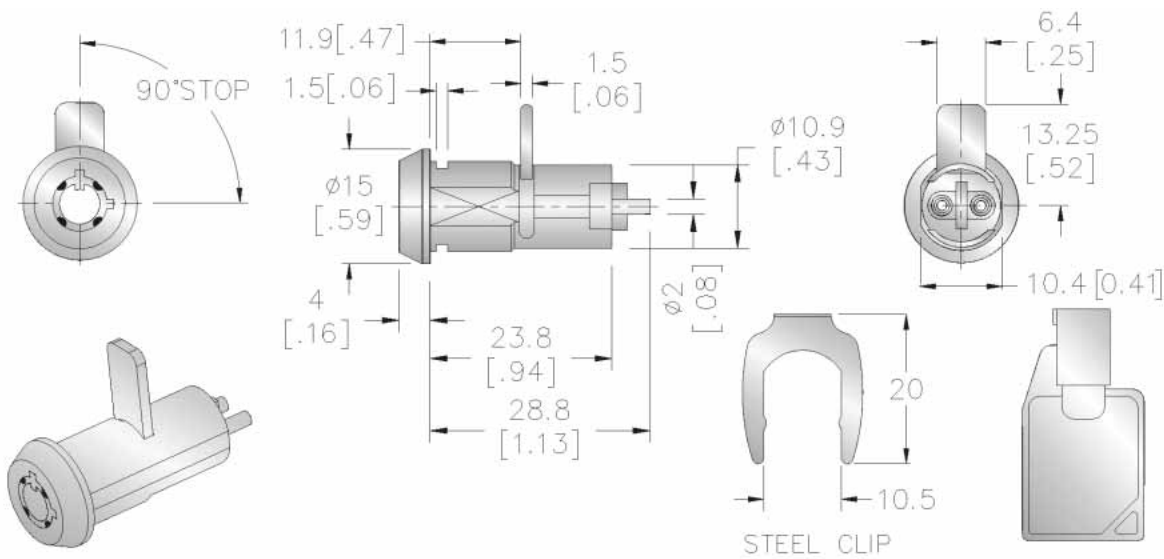


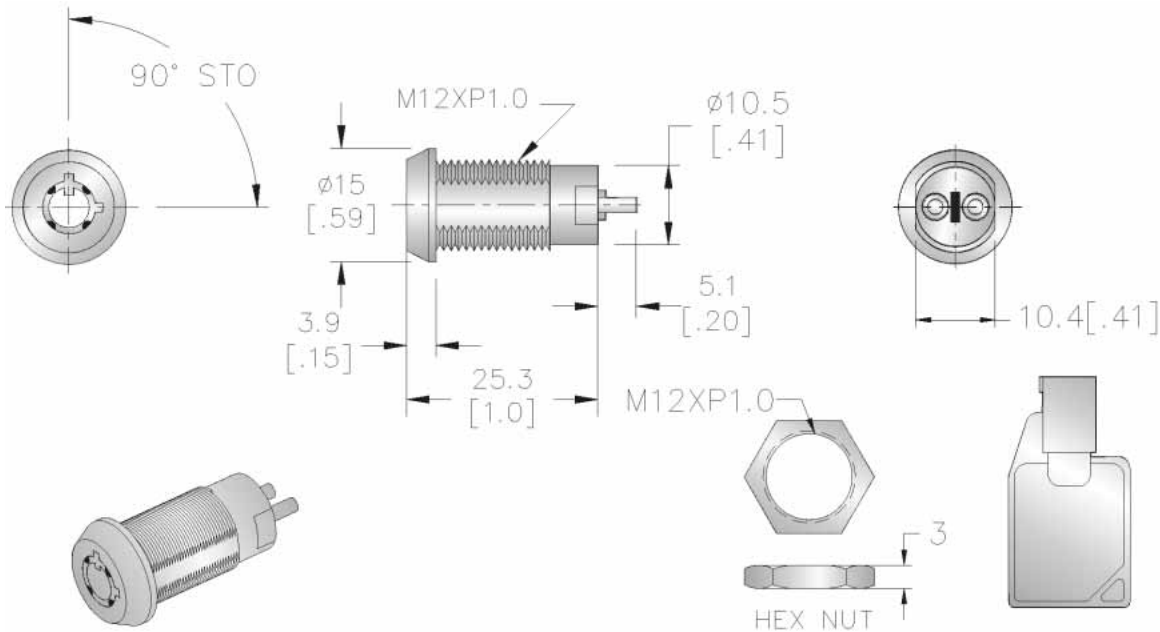


SRL- 4001 Tubular Key Mini Cam Switch Lock



- Standard 4 pin lock with 200 key codes
- Highly pick resistant 7pin tumblers with 15,000 key codes available
- Master key system available
- Standard bright chrome, dull stain chrome or black chrome available
- Contact rating: 1A 125V AC, 0.5A 250V AC
- Contact resistance: 10 Milli-Home Max
- Insulation resistance: 200Meg-Ohms. Min. Max(500V DC)
- Dielectric strength: 1000V AC-1 Minute

SRL- 4002 Tubular Key Mini Switch Lock



- Standard 4 pin lock with 200 key codes
- Highly pick resistant 7pin tumblers with 15,000 key codes available
- Master key system available
- Standard bright chrome, dull stain chrome or black chrome available
- Contact rating: 1A 125V AC, 0.5A 250V AC
- Contact resistance: 10 Milli-Home Max
- Insulation resistance: 200 Meg-Ohms. Min. Max(500V DC)
- Dielectric strength: 1000V AC-1 Minute