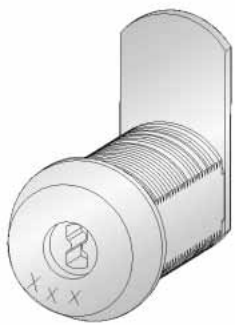
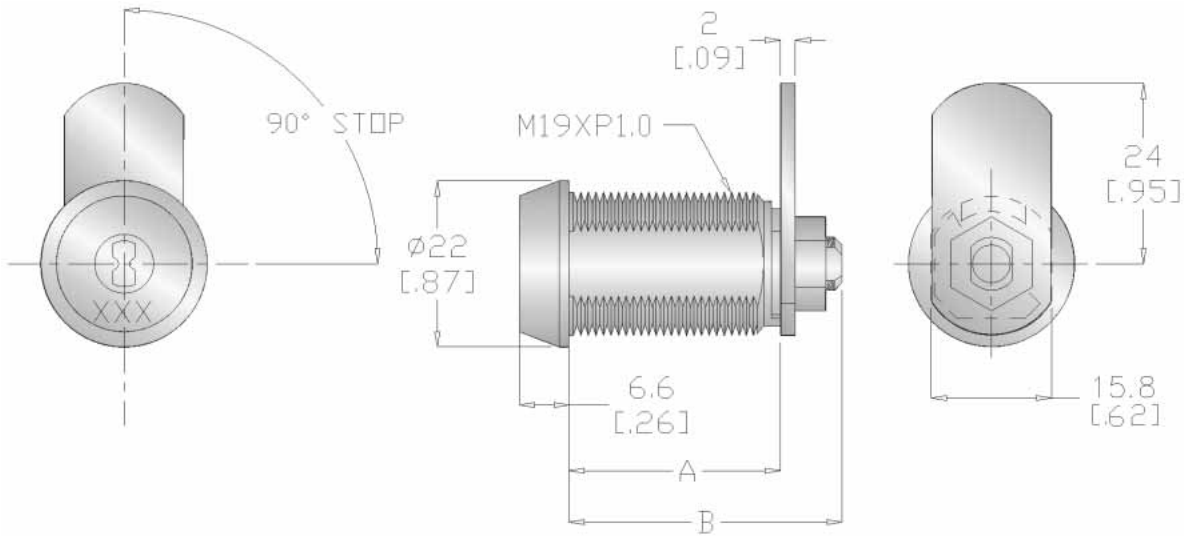




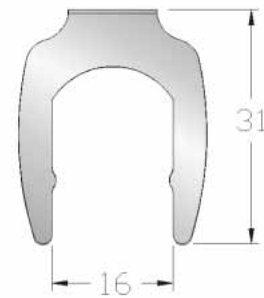
## RL- 7001 Cam Lock



M19 X P1.0

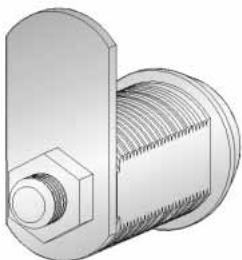


OR



ZINC HEX NUT

STEEL CLIP



P/N	A	B
RL-7001	11.5MM	17.7MM
RL-7002	16MM	22.2MM
RL-7003	22MM	28.2MM
RL-7004	28MM	34.2MM
RL-7005	35MM	41.2MM

- High security device
- 1,000,000 key codes available
- Zinc alloy or brass body
- High strength brass key
- Cam height & shape variable
- Cam rotates right, left, 180°/270°