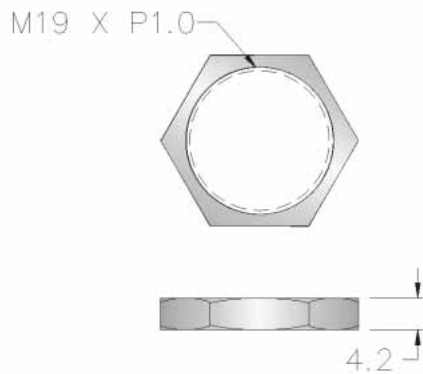
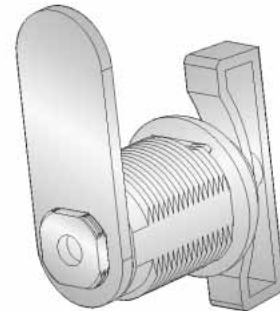
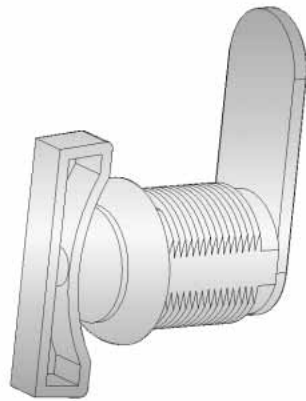
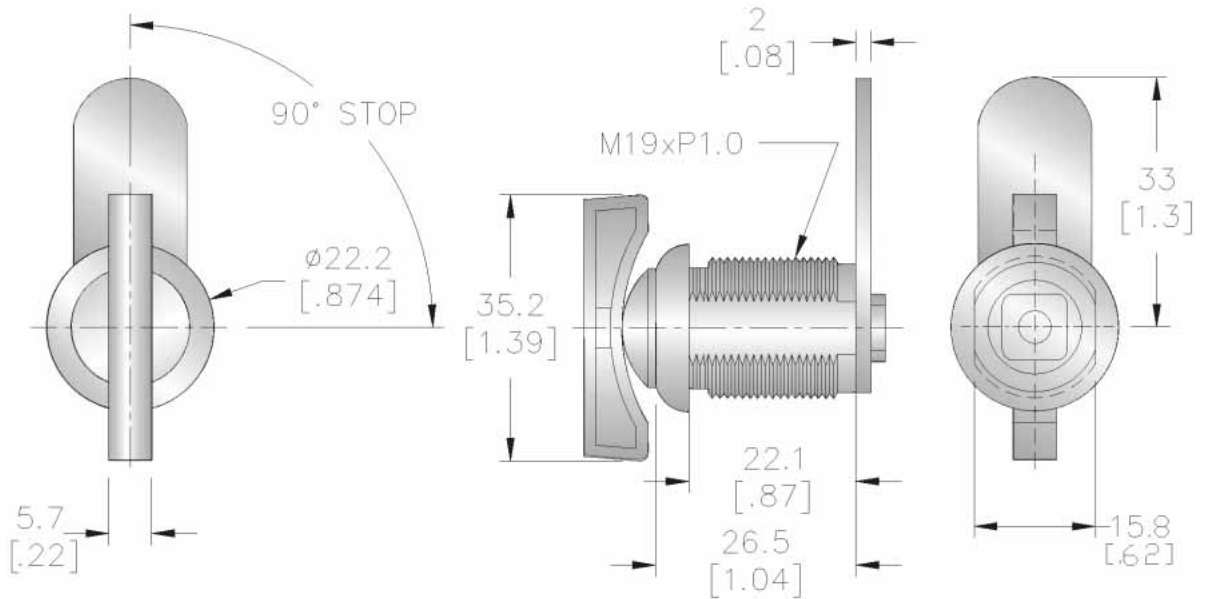




RL- 6513 Wing Turn Cam Latch



ZINC HEX NUT

OR

STEEL CLIP

- Zinc alloy body
- Chrome, or zinc clear or yellow zinc plated
- Ball bearing detention