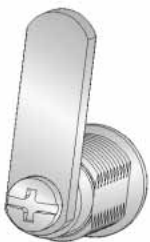
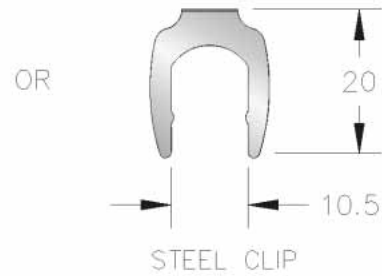
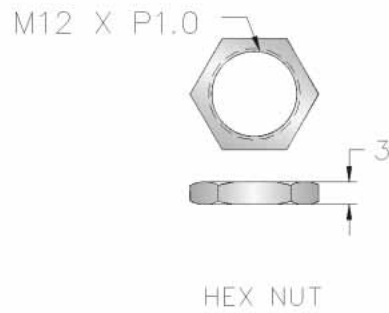
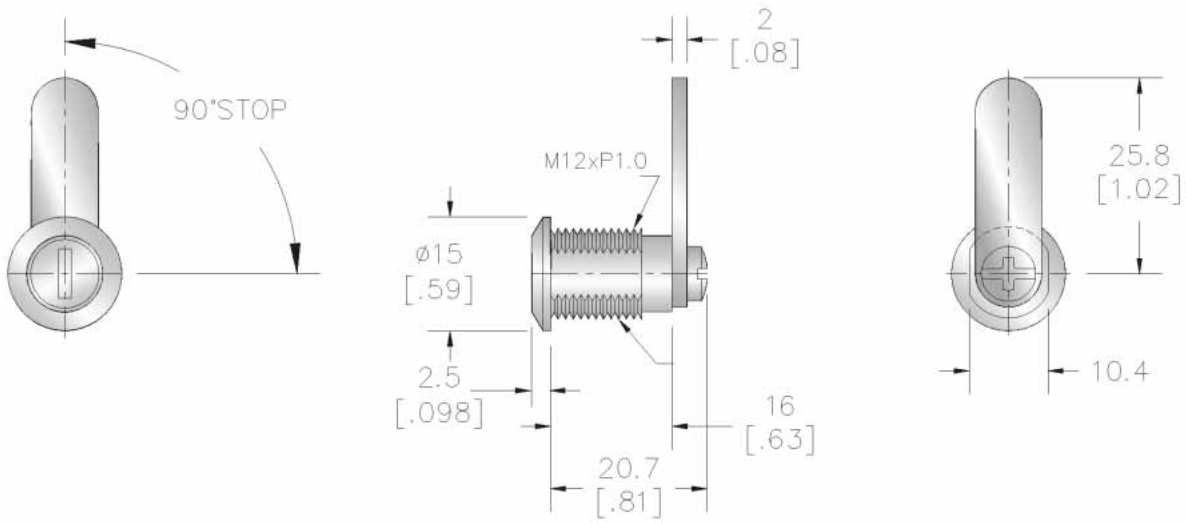




RL- 6001 Flat Key Mini Cam Lock



- Zinc alloy material
- Chrome plated
- 10 key codes available
- Available for barrel nut or clip fixing
- Cam rotates right, or left, or 180°/270° optional