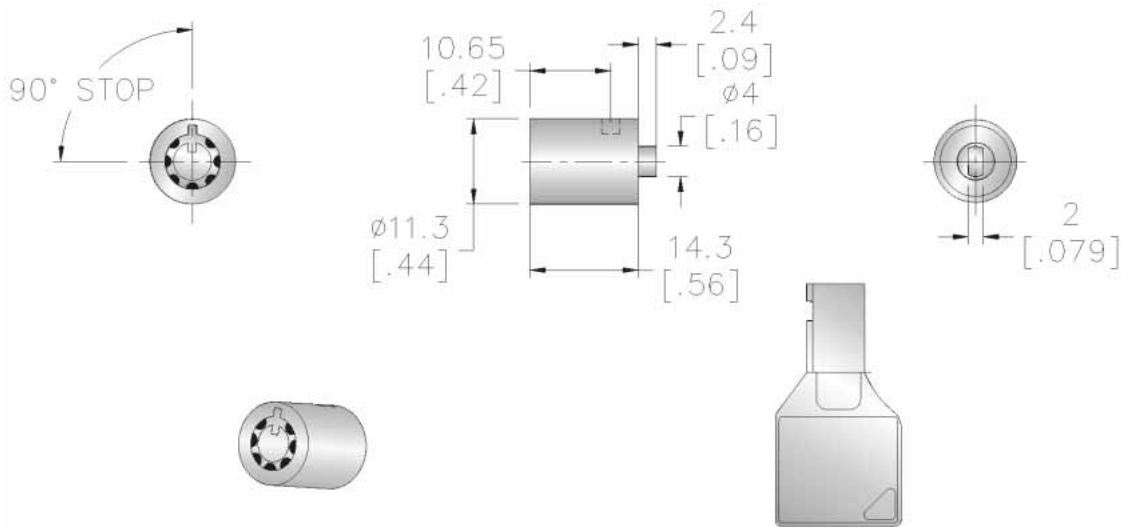


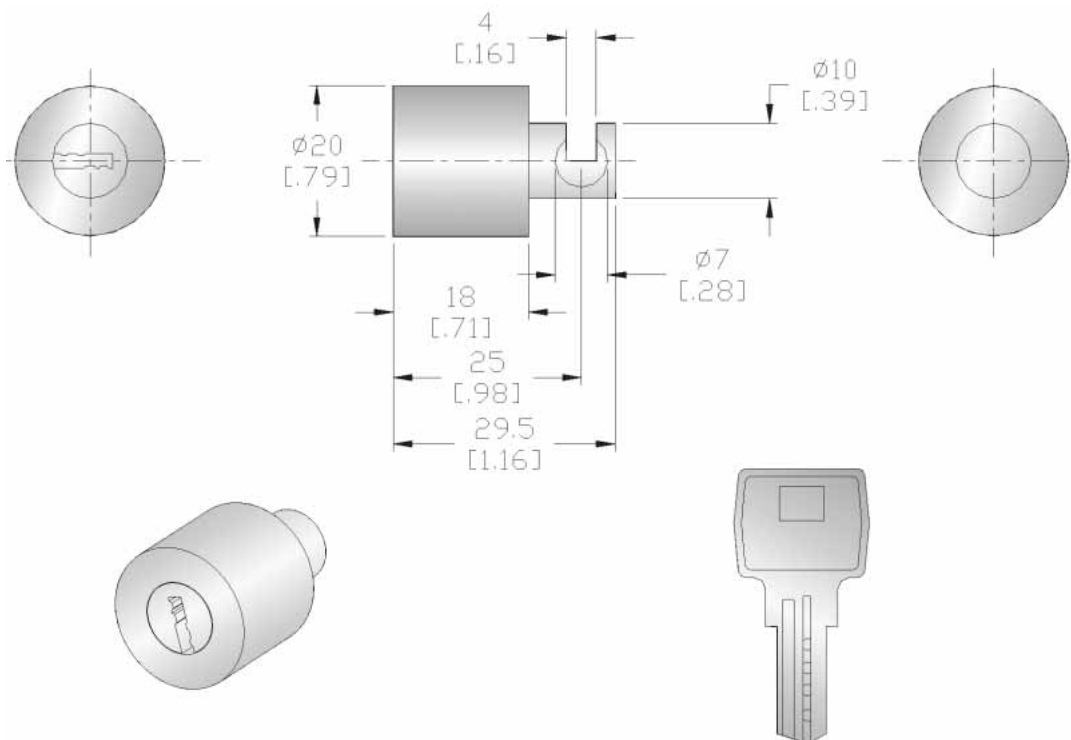


RL- 5607 Tubular Key Mini Cylinder Lock



- A very mini lock for many applications
- 4 pin or highly ant-pick 7 pin
- Zinc or brass material
- Master key system available

RL- 7202 Flat Key Cylinder Lock



- Brass alloy and lock cor
- Bright chrome plating
- Apply to automobile, locomotive.