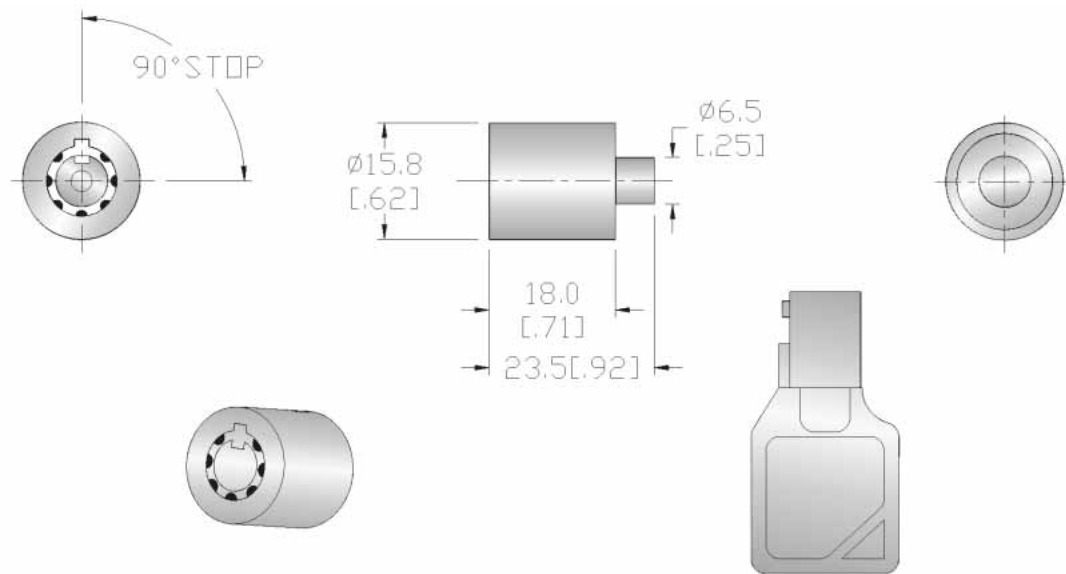


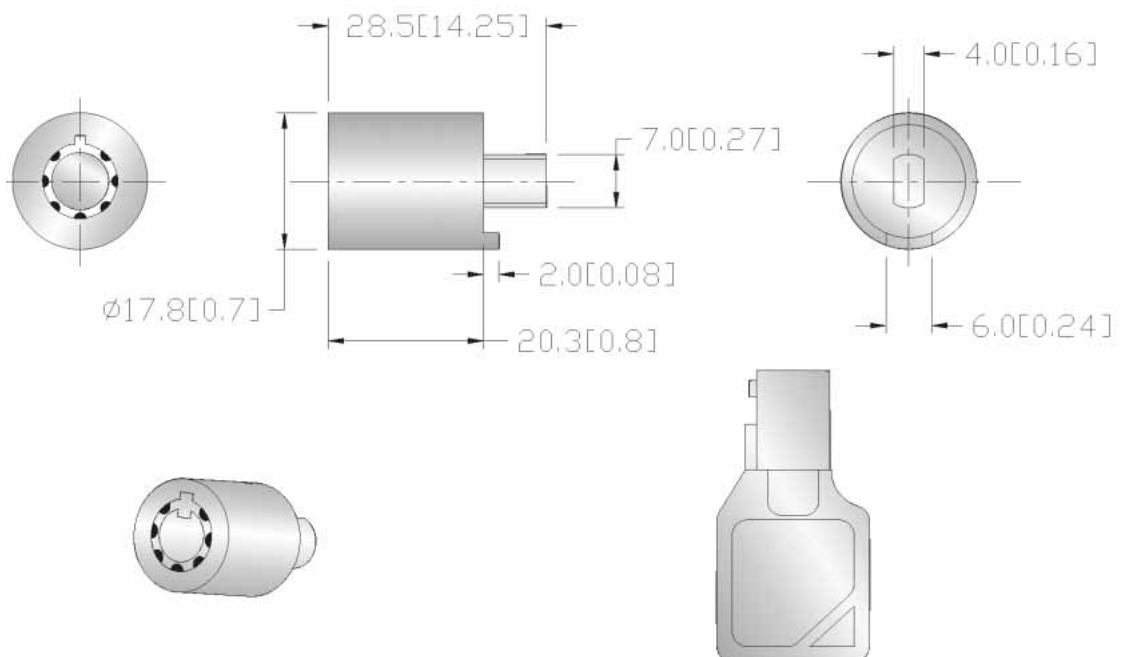


## RL- 5601 Tubular Key Cylinder Lock



- Zinc shell & lock core, bright chrome plating
- Apply to automobile, locomotive, etc
- More than 50,000 key variation

## RL- 5602 Tubular Key Cylinder Lock



- Zinc shell, bright chrome plating
- Lock core with 7 pins
- Apply to metal/non-metal, timber door and any automobile, locomotive, bike lock etc
- More than 50,000 key variation