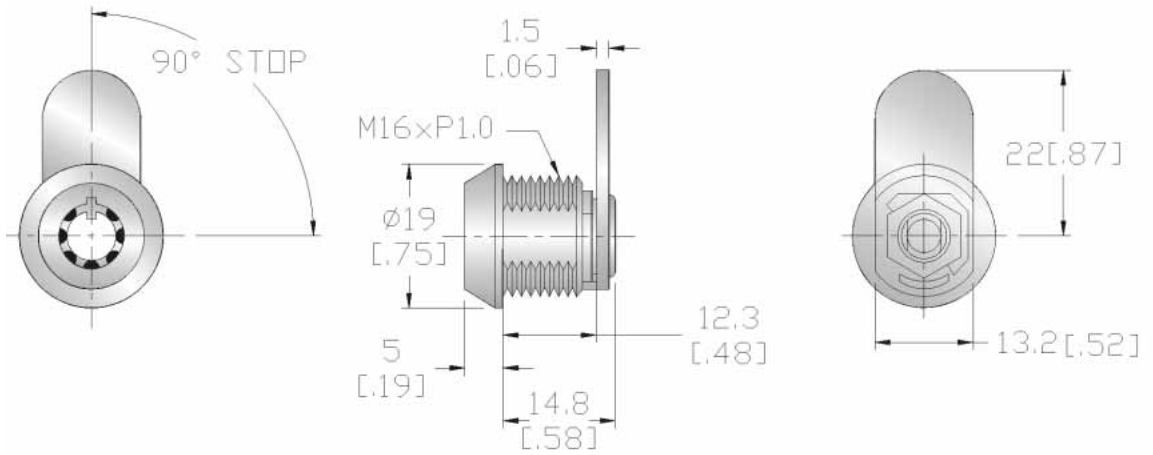




## RL-5004 Tubular Key Spun Cam Lock



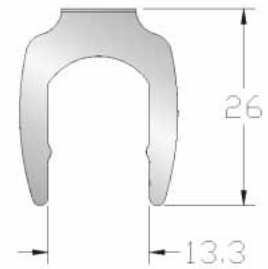
M16XP1.0



OR



3.2



HEX NUT

STEEL CLIP



- 7 pin tumblers in 10,000 key codes
- Zinc alloy or brass body
- Bright chrome, satin chrome or black zinc
- Master key system available
- Cam height variable
- Cam rotates right or left, or 180°/270° optional