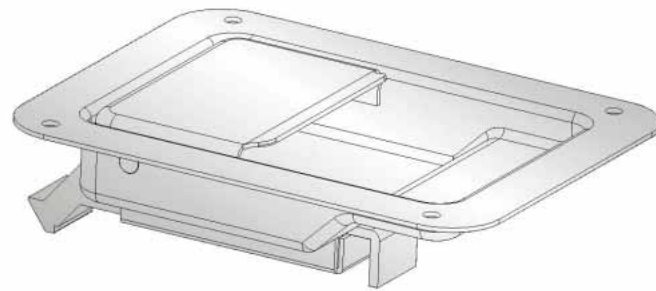
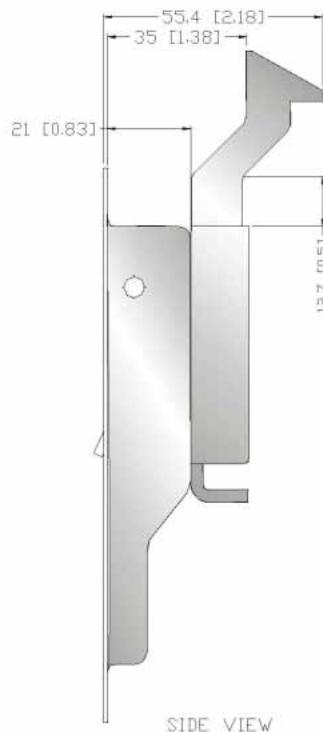
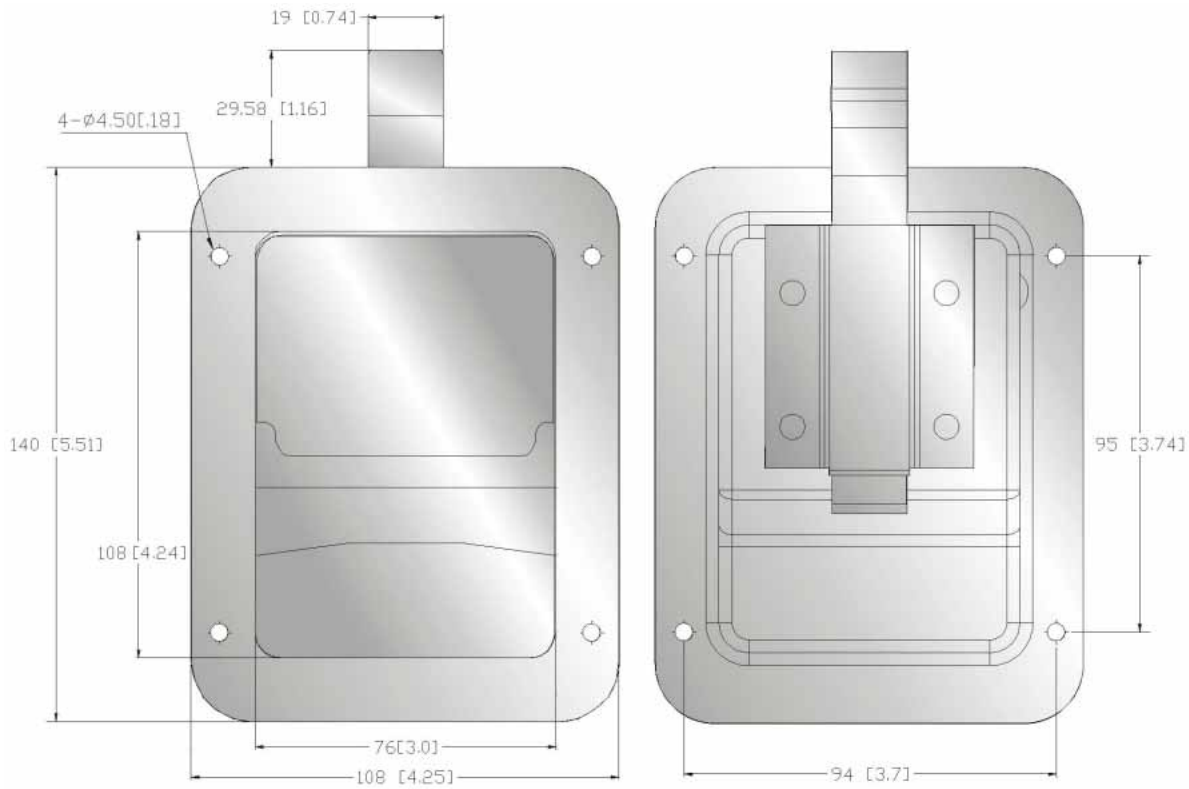




PDL- 07215 Paddle Handle



- Zinc plated or powder coating steel or
- polished stainless steel plate
- Different size or fixing hole available to your specification
- with or without lock cylinder up to your request.
- Key code can be made interchangeable to your original code