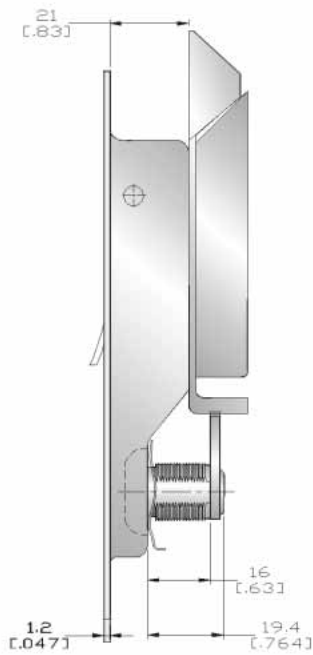
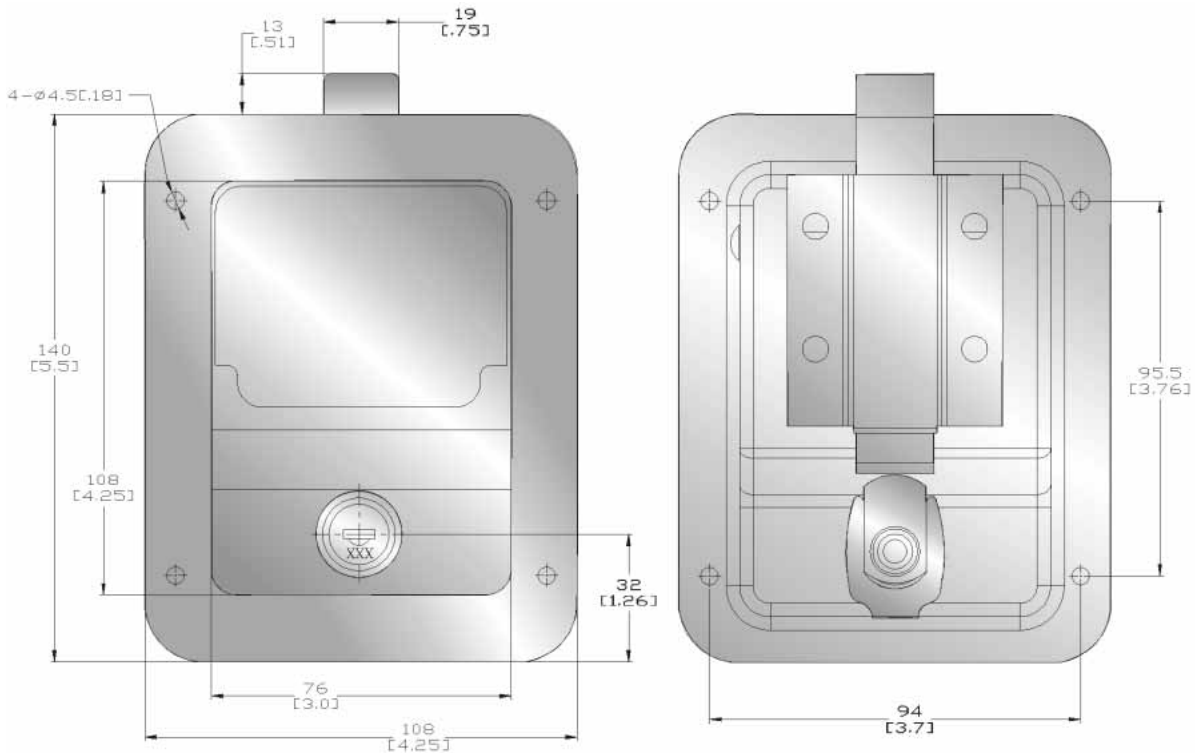
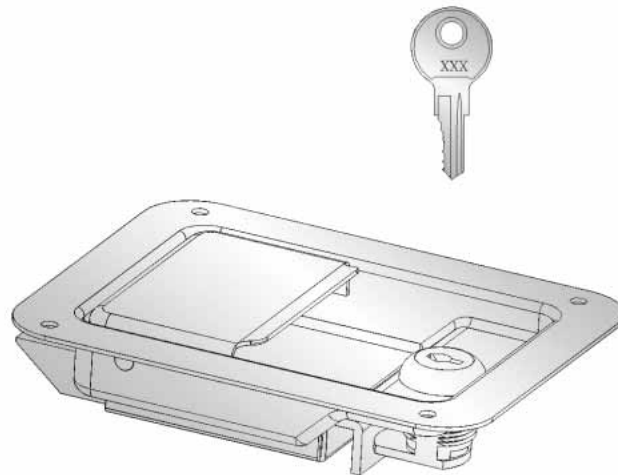




PDL- 07213 Square Paddle Handle



SIDE VIEW



- Zinc plated or powder coating steel or polished stainless steel plate
- Different size or fixing hole available to your specification
- with or without lock cylinder up to your request.
- Key code can be made interchangeable to your original code