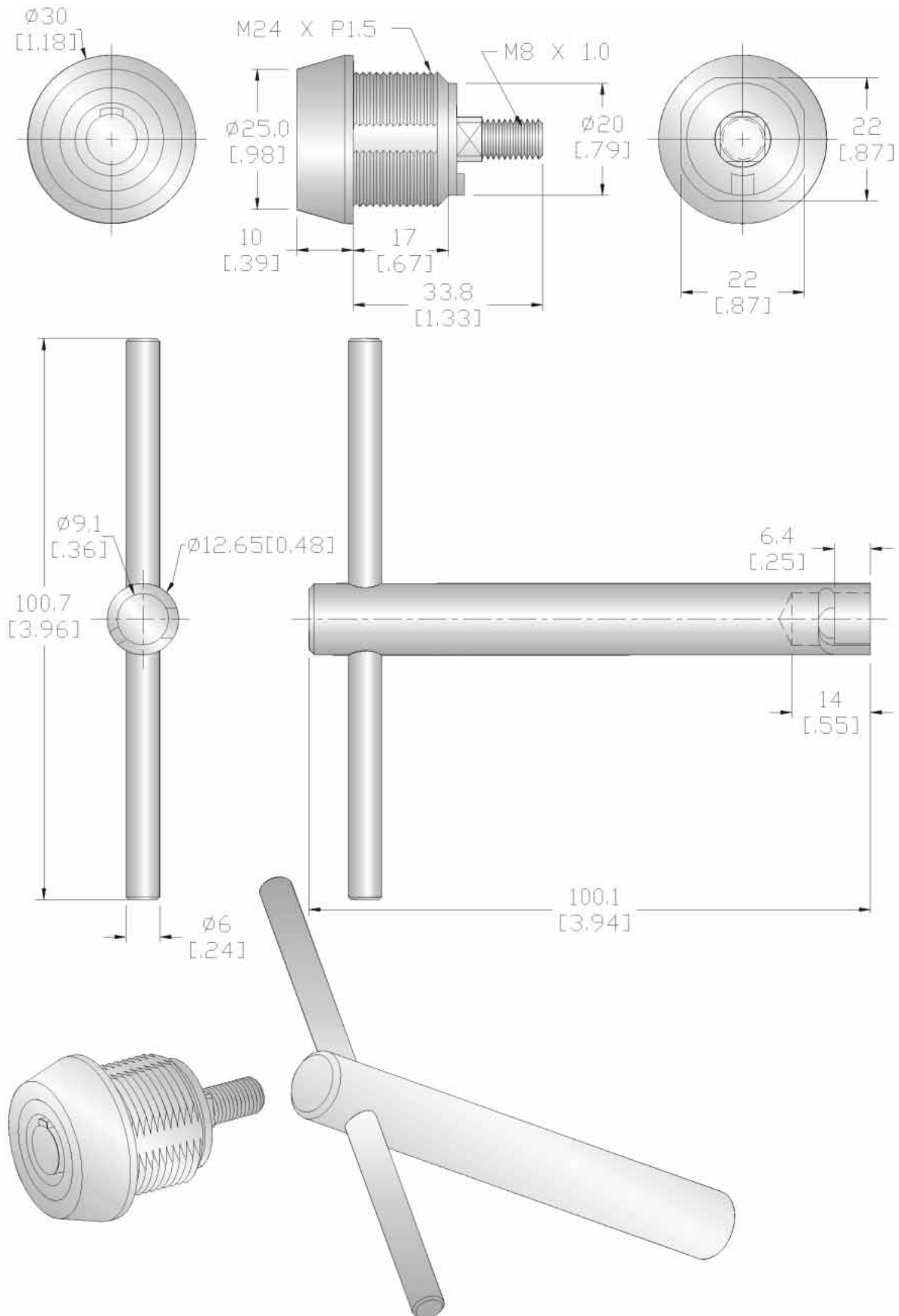




## LTH- 07005 1/4 Turn Power Latch



- Stainless steel lock housing
- Alloy steel, heat treated, yellow zinc key
- Polishing finishes