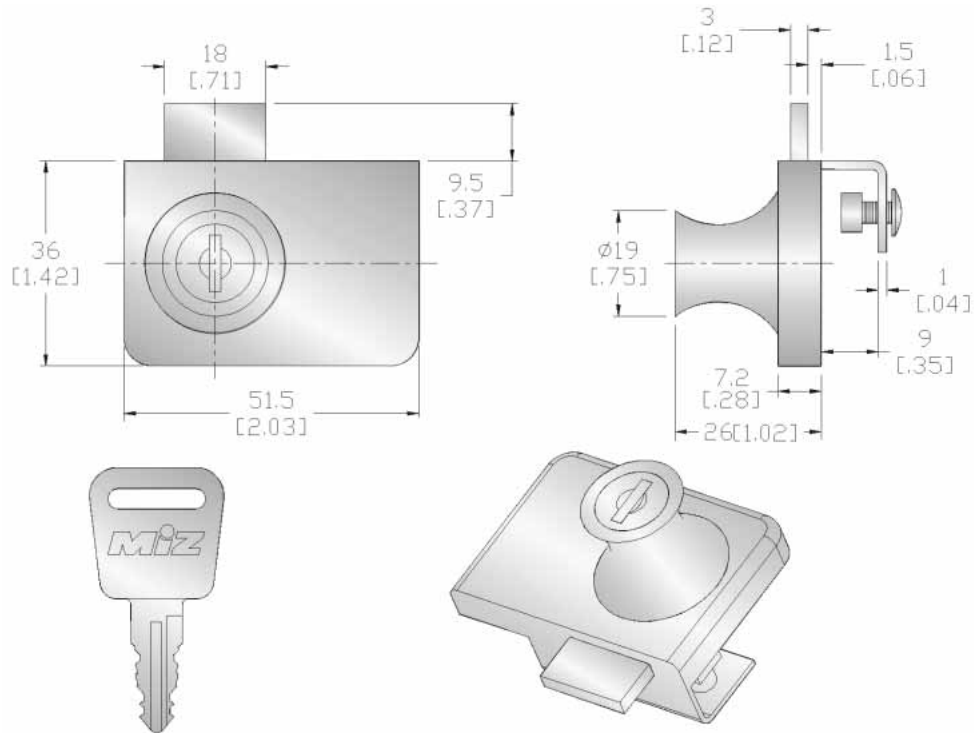


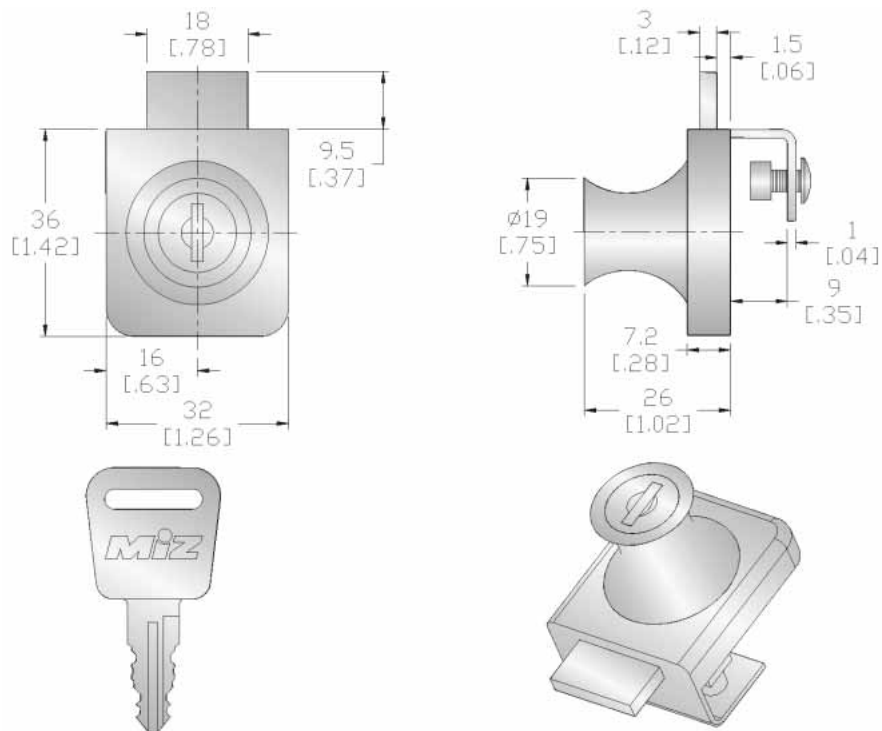


## FL- 6114 Glass Door Lock



- Zinc alloy material, Brass keys
- 200 key codes available
- Bright chrome plating
- Single or double bitted keys available

## FL- 6115 Glass Door Lock



- Zinc alloy material, Brass keys
- 200 key codes available
- Bright chrome plating
- Single or double bitted keys available