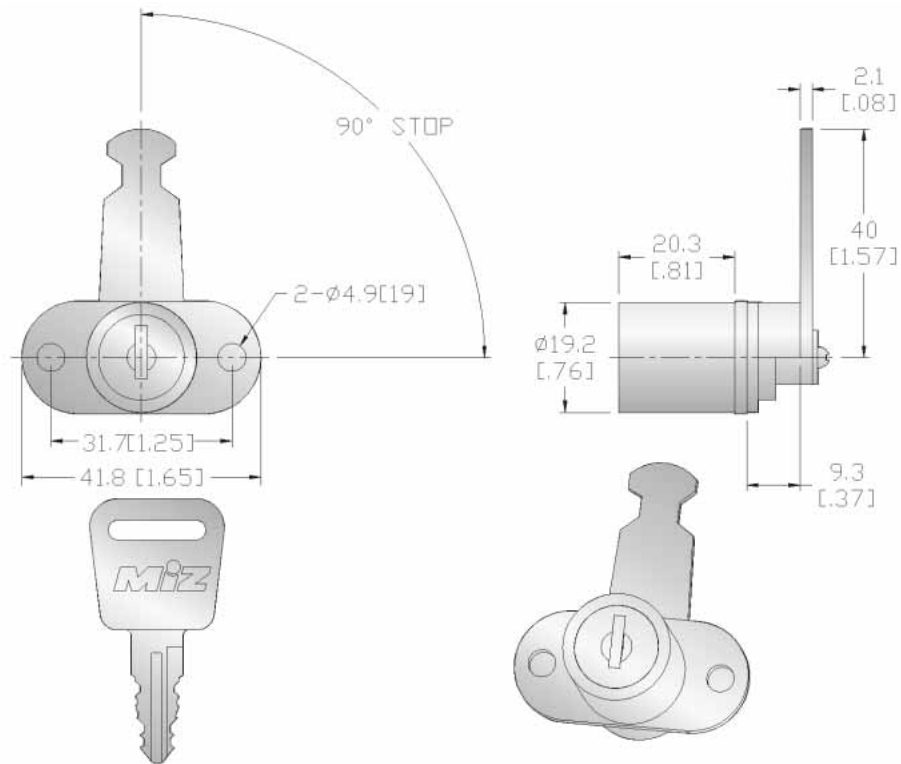


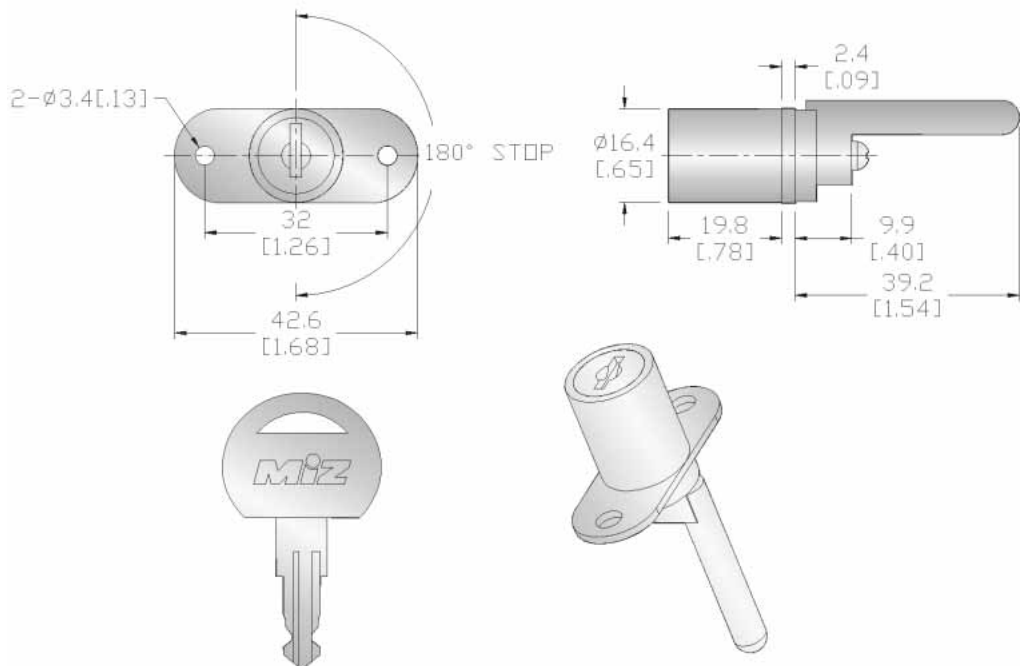


FL- 6109 Cam Lock



- Zinc alloy material, Brass keys
- 200 key codes available
- Bright chrome plating
- Single or double bitted keys available

FL- 6110 Knob Lock



- Zinc alloy material, Brass keys
- 200 key codes available
- Bright chrome plating
- Single or double bitted keys available