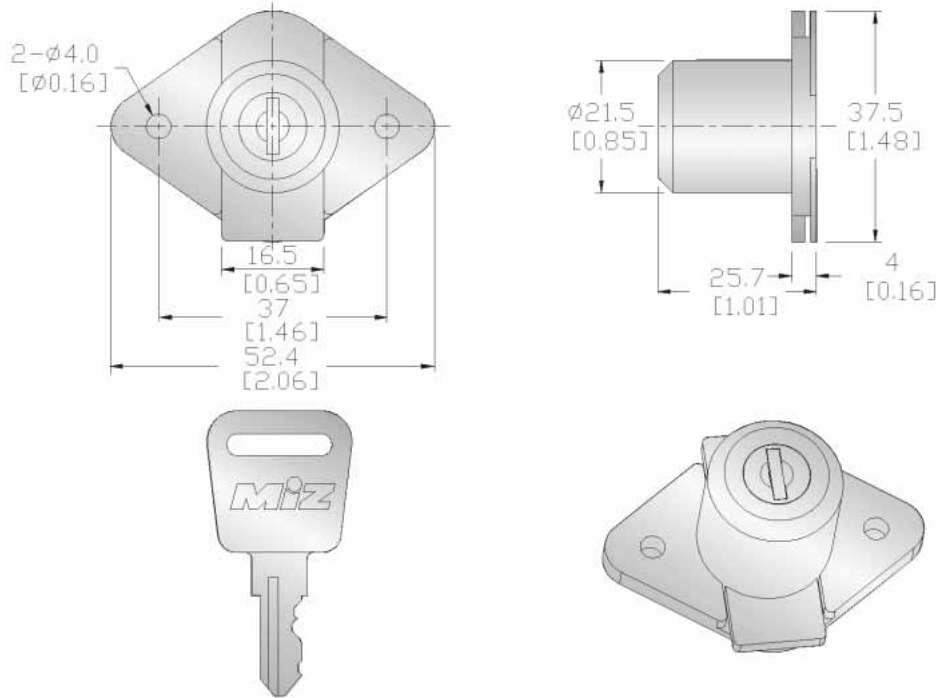


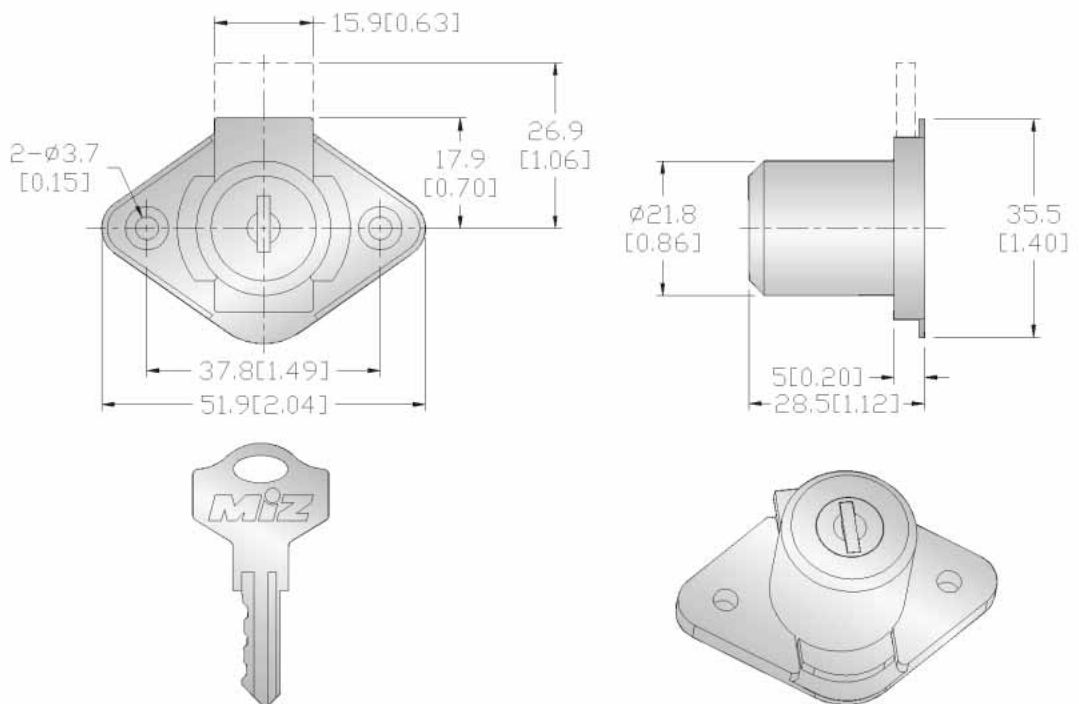


FL- 6101 Drawer Lock



- Zinc alloy material, Brass keys
- 200 key codes available
- Bright chrome plating
- Single or double bitted keys available

FL- 6102 Drawer Lock



- Zinc alloy material, Brass keys
- 200 key codes available
- Bright chrome plating
- Single or double bitted keys available