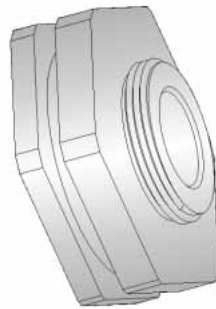
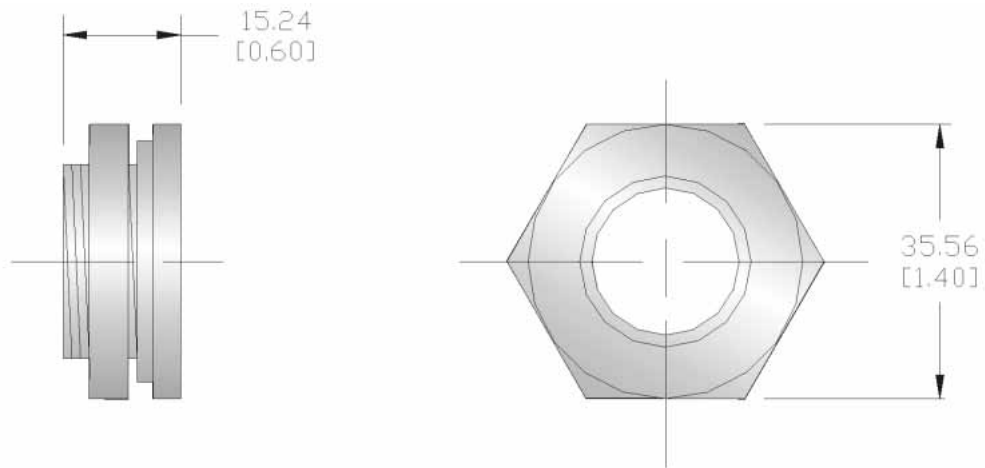




CCF- 8004 Humidity Indicator



- Zinc Alloy or steel available
- Zinc plated or chrome plating