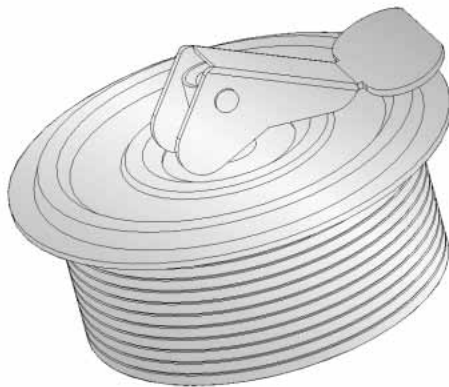
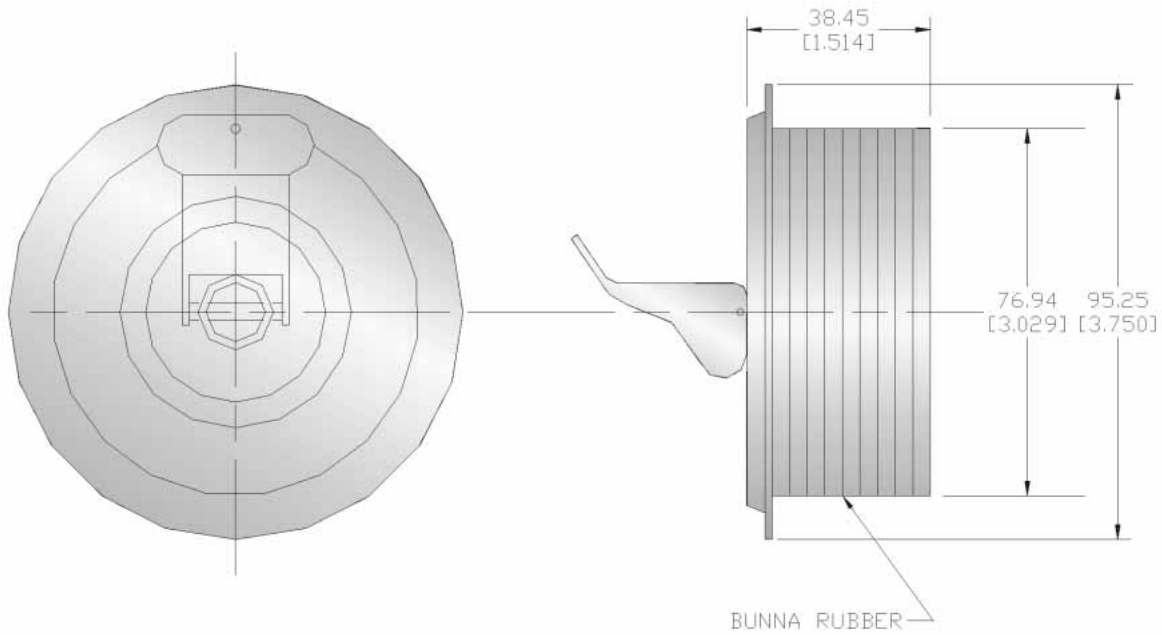




CCF- 8002 Port Plug



- Steel cover with zinc plated
- Rubber housing for better fitting