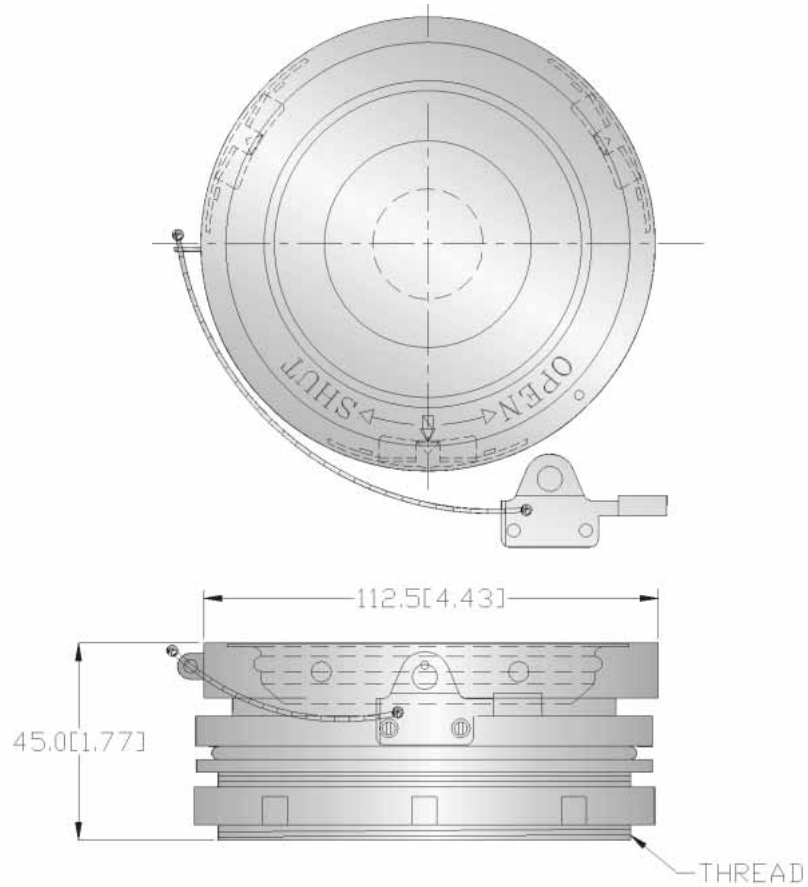




## CCF- 8001 Round Container Fitting



- Polished stainless steel cover
- Aluminum alloy body with black painted