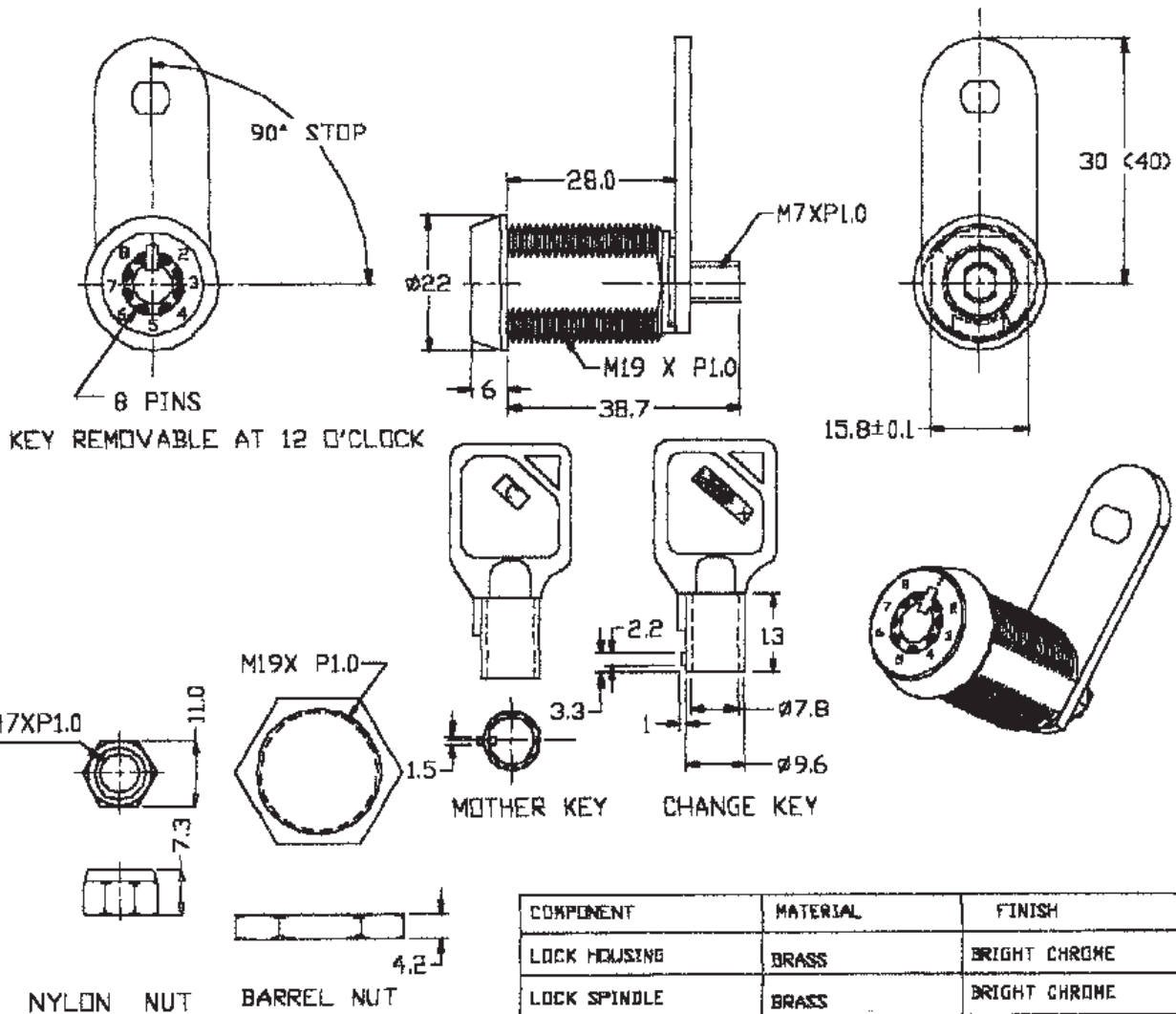




8 Code Matic Cam Lock



COMPONENT	MATERIAL	FINISH
LOCK HOUSING	BRASS	BRIGHT CHROME
LOCK SPINDLE	BRASS	BRIGHT CHROME
KEY	STEEL	NICKEL PLATE
CAM	STEEL	TO SPECIFY
BARREL NUT	ZINC	X
NYLON NUT	STEEL	ZINC PLATE
WASHER	STEEL	ZINC PLATE
CELLAR	BRASS	X