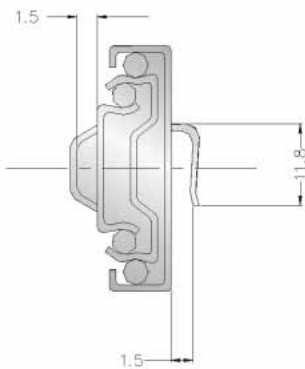
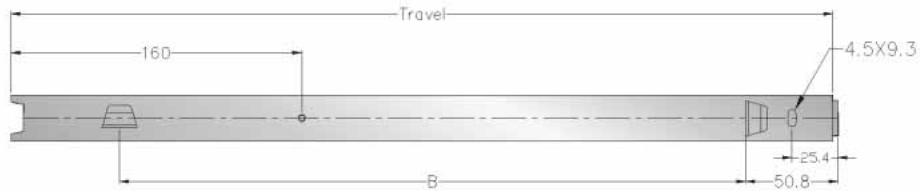
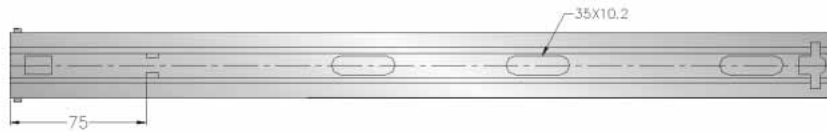
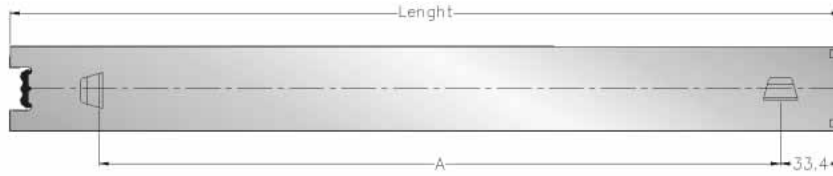




SLD- 4603 45mm Full Extension Ball Slide



SIZE	LENGTH	TRAVEL	A	B
12	305	305	255.9	187.5
14	356	356	306.9	238.5
16	406	406	356.9	288.5
18	457	457	407.9	344.5
20	508	508	458.9	395.5
22	559	559	430.6	445.5
24	610	610	480.6	495.5

- Side mount
- 1-13/16" height
- 12.7mm Plus 0.08mm clearance, minus 0" each side
- Load rating of 100LB. Class, BIFMA, FIRA certified
- Telescoping movement on precision steel ball bearings
- Secured mounting tabs design for quick installation
- 1" over travel